



URKUNDE

Europäisches Patent

Es wird hiermit bescheinigt, dass für die in der Patentschrift beschriebene Erfindung ein europäisches Patent für die in der Patentschrift bezeichneten Vertragsstaaten erteilt worden ist.

CERTIFICATE

European patent

It is hereby certified that a European patent has been granted in respect of the invention described in the patent specification for the Contracting States designated in the specification.

CERTIFICAT

Brevet européen

Il est certifié qu'un brevet européen a été délivré pour l'invention décrite dans le fascicule de brevet, pour les Etats contractants désignés dans le fascicule de brevet.

Europäisches Patent Nr.
European patent No.
Brevet européen n°

2995990

Patentinhaber
Proprietor(s) of the patent
Titulaire(s) du brevet

Eyewear From Barcelona, S.L.
Ciutat de Granada 48 Baixos
08005 Barcelona/ES

München, den
Munich,
Munich, le

23.06.21

António Campinos

Präsident des Europäischen Patentamts
President of the European Patent Office
Président de l'Office européen des brevets

(19)



(11) **EP 2 995 990 B1**

(12)

EUROPEAN PATENT SPECIFICATION

(45) Date of publication and mention of the grant of the patent:
23.06.2021 Bulletin 2021/25

(51) Int Cl.:
G02C 5/20 ^(2006.01) **G02C 5/16** ^(2006.01)
G02C 5/08 ^(2006.01) **B29D 12/02** ^(2006.01)
G02C 3/00 ^(2006.01) **G02C 5/14** ^(2006.01)
G02C 5/00 ^(2006.01)

(21) Application number: **14794400.3**

(22) Date of filing: **09.05.2014**

(86) International application number:
PCT/ES2014/000074

(87) International publication number:
WO 2014/181010 (13.11.2014 Gazette 2014/46)

(54) **GLASSES WITH FLEXIBLE SIDEPIECE**
 BRILLE MIT FLEXIBLEM SEITENBÜGEL
 LUNETTES À BRANCHE SOUPLE

(84) Designated Contracting States:
**AL AT BE BG CH CY CZ DE DK EE ES FI FR GB
 GR HR HU IE IS IT LI LT LU LV MC MK MT NL NO
 PL PT RO RS SE SI SK SM TR**

(30) Priority: **10.05.2013 ES 201330568**

(43) Date of publication of application:
16.03.2016 Bulletin 2016/11

(73) Proprietor: **Eyewear From Barcelona, S.L.**
08005 Barcelona (ES)

(72) Inventor: **CABRÉ OZORES, Alejandro**
E-08005 Barcelona (ES)

(74) Representative: **Gallego Jiménez, José Fernando**
Ingenias Creaciones, Signos e Invenciones
S.L.P.
Avda. Diagonal 514, 1º 4ª
08006 Barcelona (ES)

(56) References cited:
WO-A1-99/56942 WO-A1-2011/068559
CN-A- 102 023 396 CN-J- 202 710 857
CN-Y- 200 972 545 DE-A1- 2 938 241
DE-U1- 8 912 492 DE-U1-202006 003 118
ES-U- 1 054 274 GB-A- 2 182 169
JP-A- 2007 178 613 KR-A- 20100 053 290
US-A- 2 481 946 US-A- 4 768 872
US-A- 4 818 094 US-A1- 2012 307 199
US-B1- 6 182 334 US-B1- 6 253 388
US-B1- 8 025 396

• None

EP 2 995 990 B1

Note: Within nine months of the publication of the mention of the grant of the European patent in the European Patent Bulletin, any person may give notice to the European Patent Office of opposition to that patent, in accordance with the Implementing Regulations. Notice of opposition shall not be deemed to have been filed until the opposition fee has been paid. (Art. 99(1) European Patent Convention).

Claims

1. Glasses with flexible sidepiece, comprising: a frame (2) that is separated at the bridge area (3), and a sidepiece (1) that is configured from a narrow, elongated part the ends of which are coupled to articulated connection means that connect it to the respective external ends of the cited frame (2) and which is closed at the rear of the head, **characterized in that** said narrow, elongated part comprises:

- respective semi-rigid sections (11), suitable for allowing the support of the glasses on the temples of the wearer, wherein the semi-rigid sections (11) are made of polymer plastic material, and corresponding to the two sections that include a substantially straight section of the sidepiece (1) at their respective ends and are situated parallel to each other, corresponding to the part of the temples of the wearer when wearing the glasses; and

- a flexible central area (12), corresponding to the rest of the part, that is, to the portion of the part that subsequently surrounds the head of the wearer, wherein said central area (12) is made of thermoplastic elastomer material and has a higher degree of flexibility than that of the semi-rigid sections (11) such that allows the sidepiece (1) to be bent until the glasses can be inserted in a conventional storage bag or case, and in a way that the bent sidepiece (1) does not protrude from the space taken up by the frame (2),

wherein the sidepiece (1) is configured to not lose its shape after being bent and to provide a suitable holding.

2. Glasses with flexible sidepiece, according to claim 1, **characterized in that** the semi-rigid sections (11) of the ends of the sidepiece are made of TR90, and the flexible central area (12) is made of thermoplastic polyester elastomer.
3. Glasses with flexible sidepiece, according to claim 2, **characterized in that** it has been obtained from a double injection molding process and makes up a single-piece bimaterial element.
4. Glasses with flexible sidepiece, according to claim 1-3, **characterized in that** the articulated connection means that connect the respective external ends of the frame (2) to the sidepiece (1), consist of metal couplings (4) adjustable and insertable through pressure at said ends of the sidepiece (1).
5. Glasses with flexible sidepiece, according to claim 1, **characterized in that** the semi-rigid sections (11)

of the ends of the sidepiece are made of polyamide or polycarbonate, and the flexible central area (12) is made of thermoplastic polyester elastomer, rubber or polyolefin.

6. Glasses with flexible sidepiece, according to claim 1, **characterized in that** it comprises an adjustment system in which the articulated connection means consist of arms (4a) of semi-rigid material provided with a longitudinal passage (41) for the telescopic assembly of a guide (13) defined in the corresponding semi-rigid section (11) of the sidepiece (1), and with side openings (42) for anchoring in different adjustment positions a retaining element defined or mounted in the guide (13) of the corresponding semi-rigid section of the sidepiece (1).
7. Glasses with flexible sidepiece, according to claim 6 **characterized in that** the retaining element consists of a smaller section end portion (15), of the guide (13), the end portion (15) of which has a side stub (14) mountable in any of the side openings (16) of the corresponding arm (4a).
8. Glasses with flexible sidepiece, according to claim 6 **characterized in that** the retaining element consists of a toroidal washer (5) made of rubber or other elastomeric material set in a throat defined at the end of the corresponding guide (13) of the sidepiece (1).
9. Glasses with flexible sidepiece, according to claim 6 **characterized in that** the retaining element consists of a retractable stop (6) operated by a push spring (61).
-

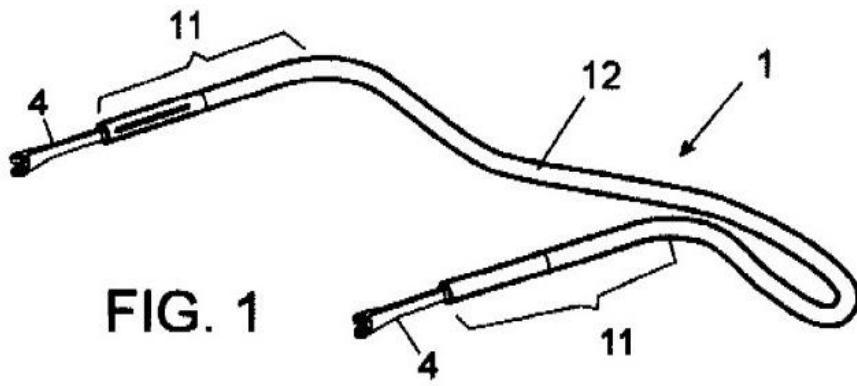


FIG. 1

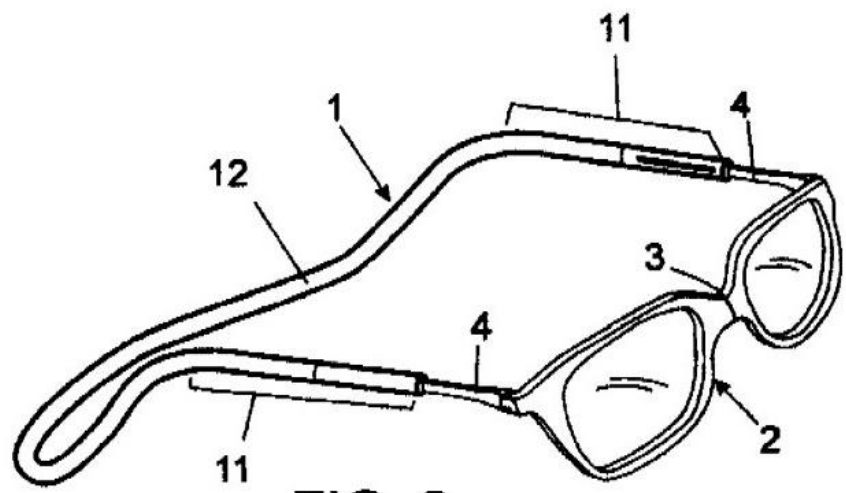


FIG. 2

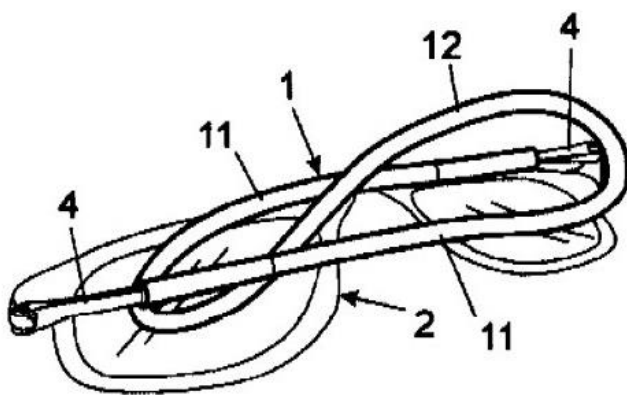


FIG. 3

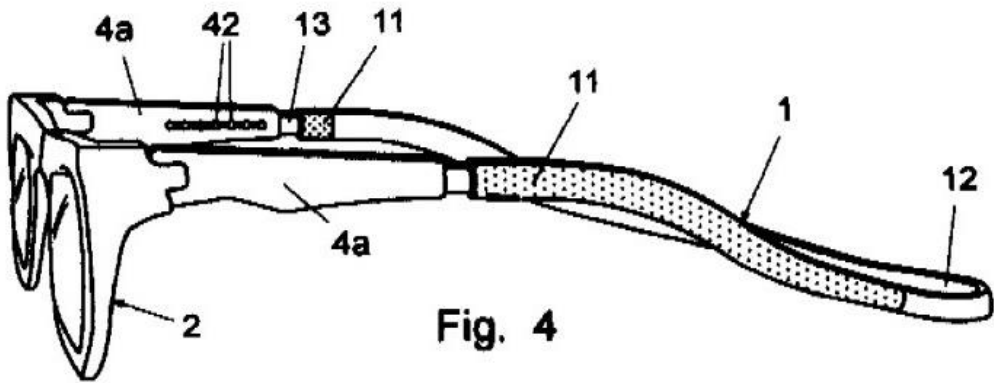


Fig. 4

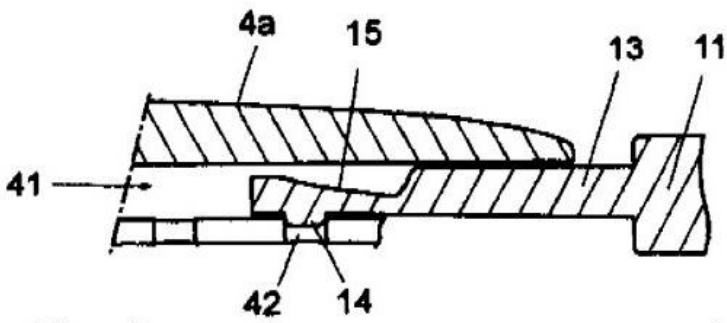


Fig. 5

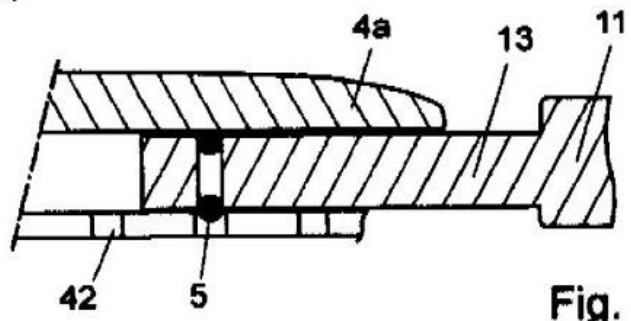


Fig. 6

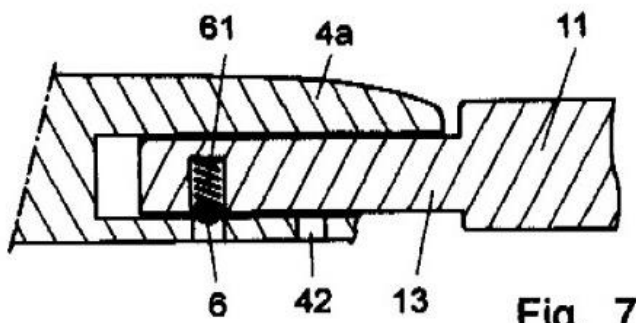


Fig. 7

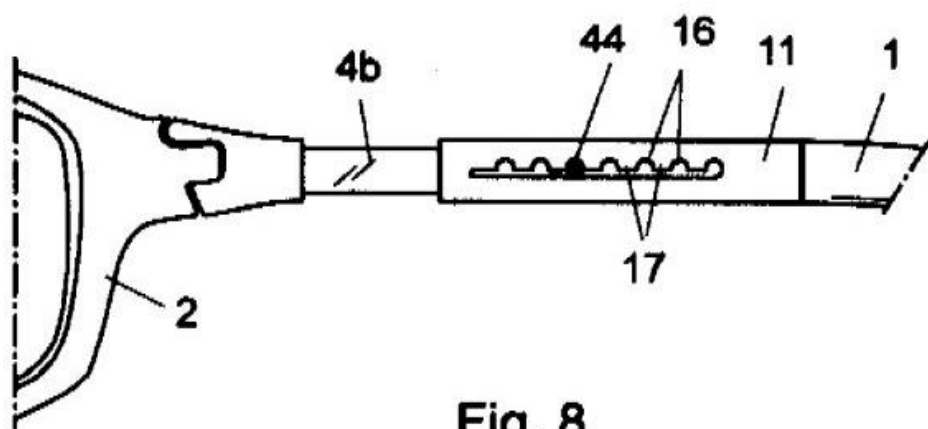


Fig. 8

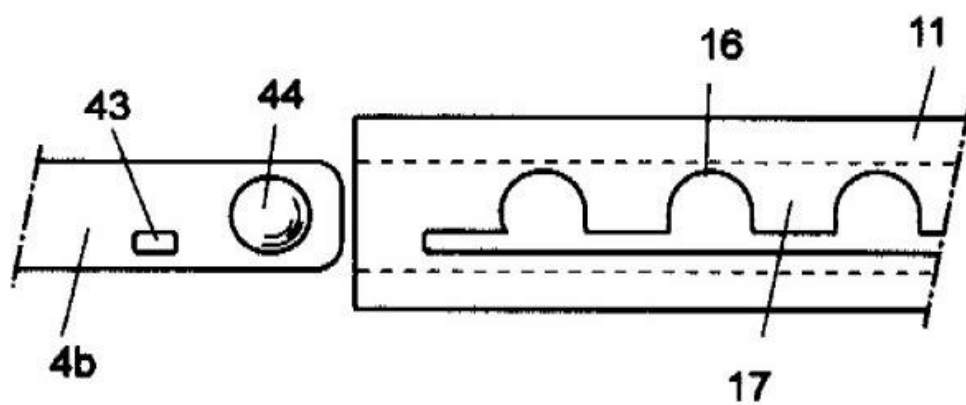


Fig. 9

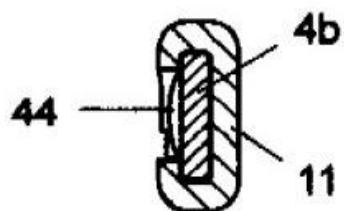


Fig. 10

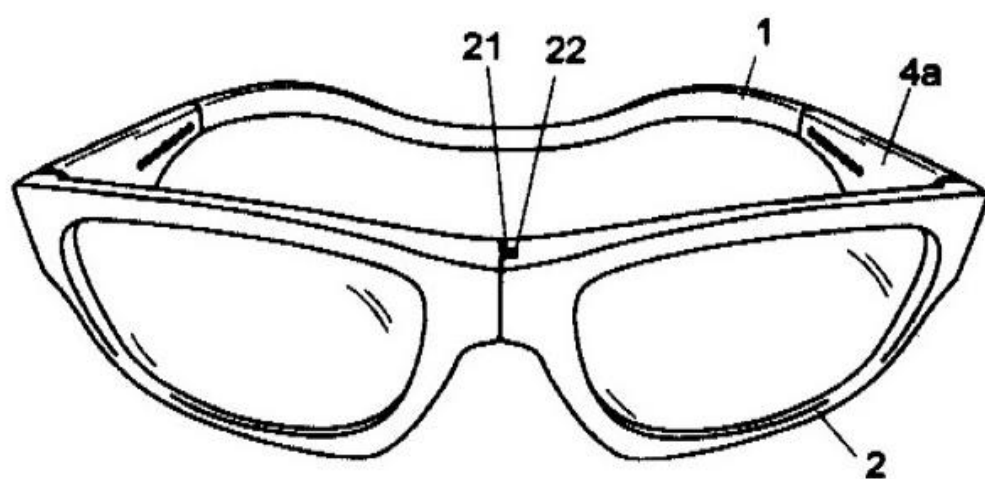


Fig. 11

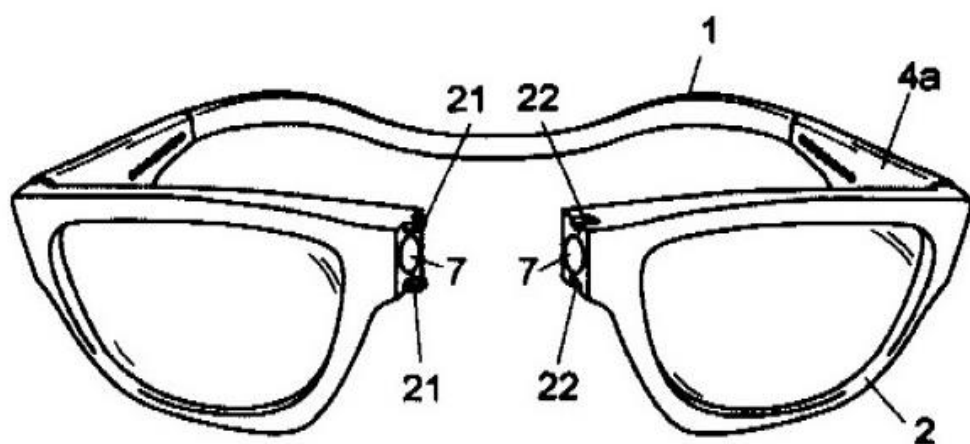


Fig. 12